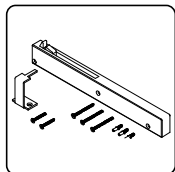


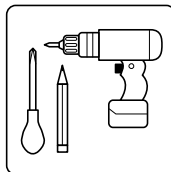
Assembly instruction

The closing delay is reversible, so you can mount it both on the left and on the right of the sliding door system. In this instruction manual, a left closing sliding door has been used as an example. For installation on the right, you can mirror the actions.



Packaging contents:

- Closing delay
- Bracket
- Screws short (2x)
- Screws long (3x)
- Wall plugs (3x)



Necessities:

- Screwdriver
- Pencil
- Drilling machine

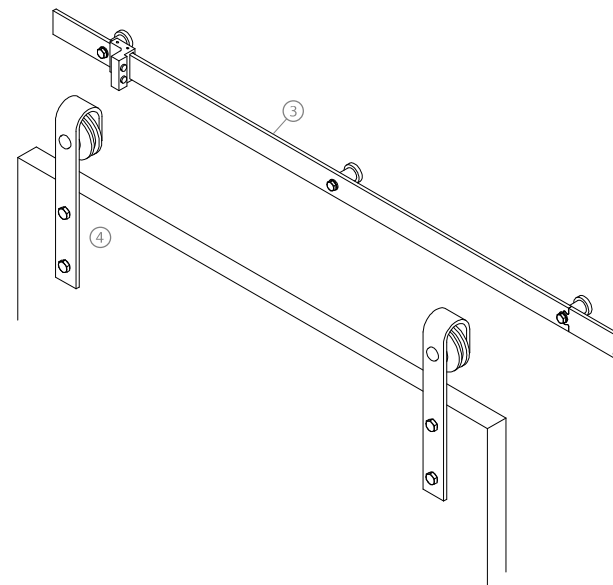
1. Remove the sliding door (4) from the rail (3).
2. Position the closing delay (1) behind the rail (3). Ensure that it is at least 50 mm away from the door stop (2). Mark out the closing delay (1) all the way around. Ensure that the top and bottom of the closing delay (1) are lined up with the top and bottom of the rail (3).

Note!

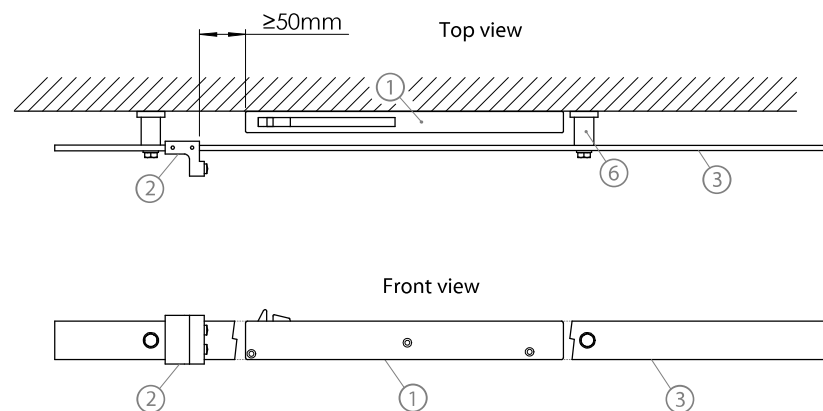
If one of the mounting supports (6) is in the way, place the closing delay (1) past this support (6). Do not change the position of the door stops (2) and ensure that the distance between the closing delay (1) and door stop (2) is always at least 50 mm.

1. Closing delay
2. Door stop
3. Rail
4. Sliding door
5. Bracket
6. Mounting supports

1.



2.

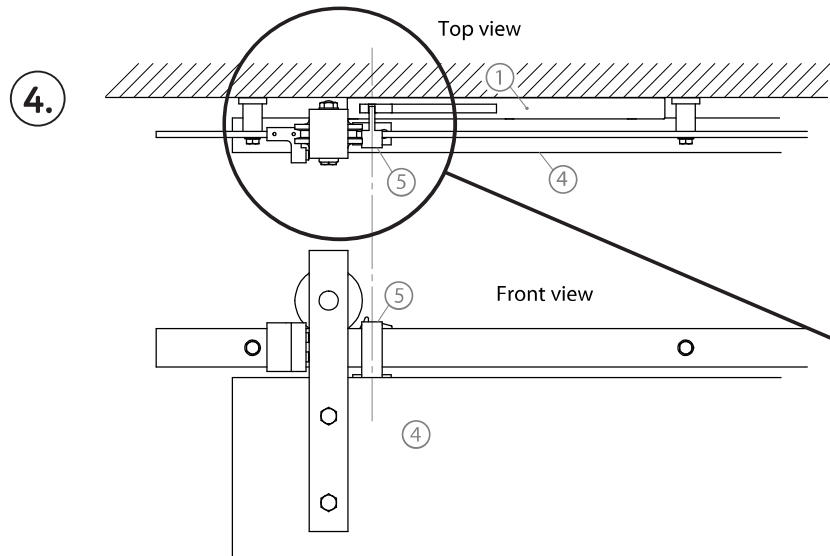


3. Remove the rail (3) and mount the closing delay (1) on the wall as marked out. Then mount the rail (3) and sliding door (4) back over the closing delay (1).

Note!

Ensure that the door stops remain in the same position as before the installation.

4. Fully close the sliding door (4) and ensure that the hook of the closing delay (1) is in fully closed position. Mount the bracket (5) on top of the sliding door, between the closed hook on the closing delay (1).



1. Closing delay
2. Door stop
3. Rail
4. Sliding door
5. Bracket
6. Mounting supports

