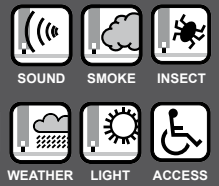
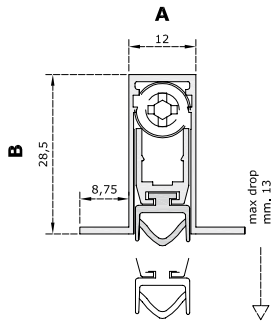


# FITTING INSTRUCTIONS

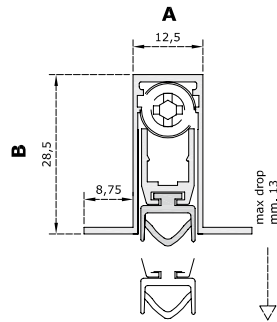
## FASTENING BY WINGS



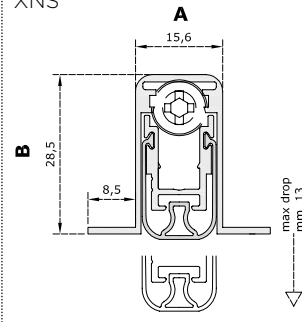
512



520



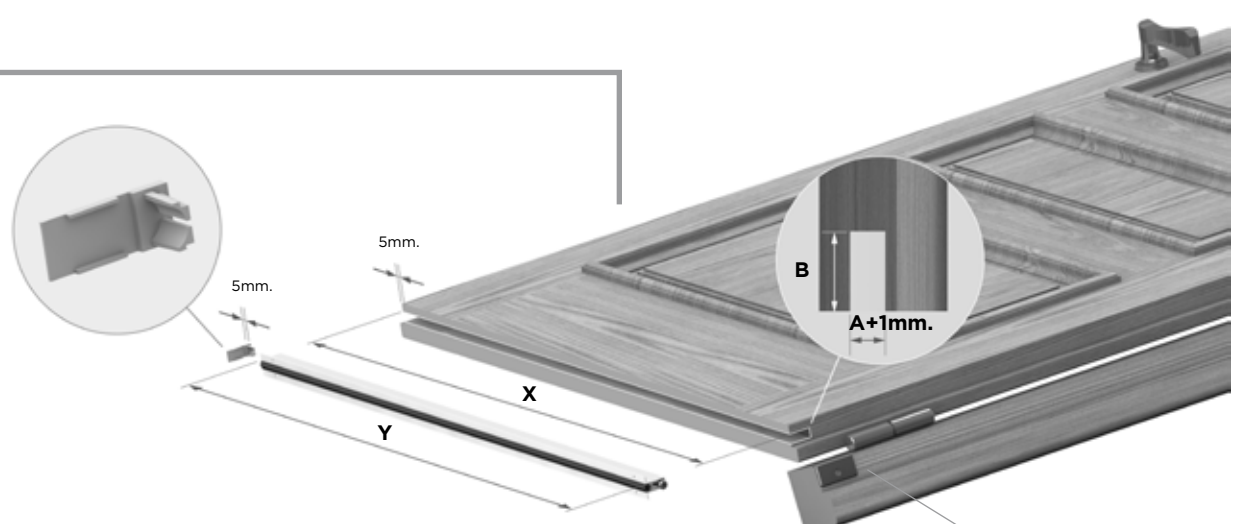
520  
XNS



### TOOLS REQUIRED

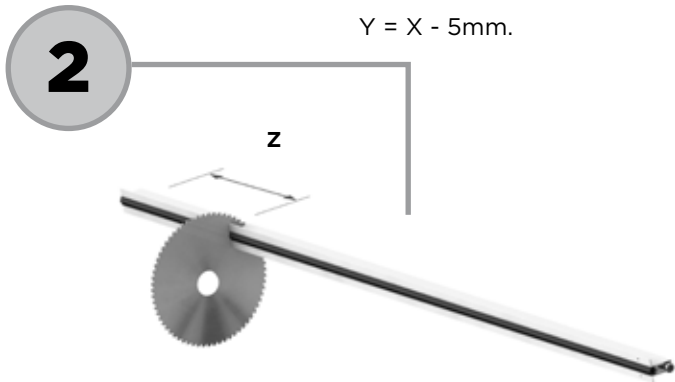


1



2

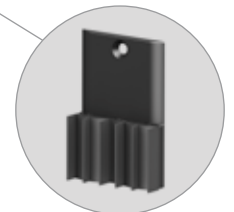
$$Y = X - 5\text{mm.}$$



### CUT DOWN SIZES

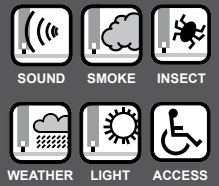
STANDARD SIZES mm.	330	430	530	630	730	830	930	1030	1130	1230	1330
Z mm.	70	130	200	200	200	200	200	200	200	200	200

OPTIONAL  
PI002

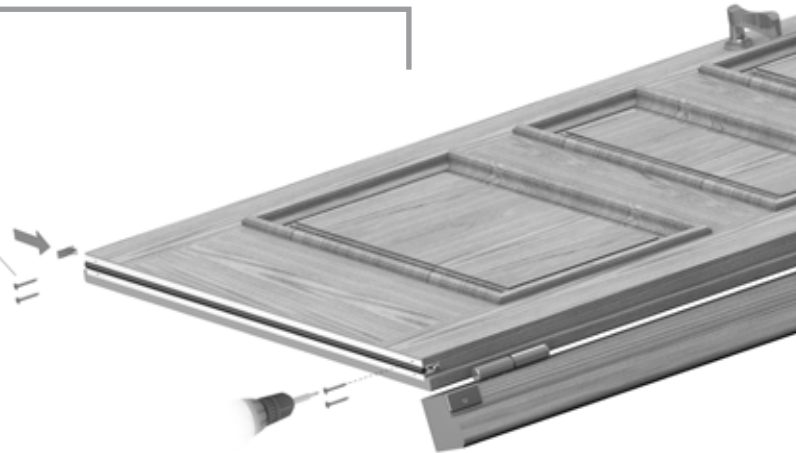


# FITTING INSTRUCTIONS

## FASTENING BY WINGS



3



4

